

Lift-TEX Industrie B.V. – Extreema® Heavy Lift



Recommended trunnion dimensions for Extreema® round slings with HMPE (Trosar® DSM) (WLL 10t – 200t)

Based on round slings with safety factor (SF) 7

Up to WLL [t]	MBL SF7 [t]	Bearing core ø	Min. trunnion ø	Recommended trunnion ø	Min. trunnion width	Recommended trunnion width	Max. trunnion width ¹	Min. trunnion width 2-leg ²
10	70	23	23	35	32	35	39	64
20	140	37	37	56	52	56	63	104
30	210	50	50	75	70	75	85	140
40	280	56	56	84	78	84	95	157
50	350	66	66	99	92	99	112	185
60	420	73	73	110	102	110	124	204
70	490	81	81	122	113	122	138	227
80	560	90	90	135	126	135	153	252
100	700	105	105	158	147	158	179	294
125	875	115	115	173	161	173	196	322
150	1050	130	130	195	182	195	221	364
200	1400	152	228	304	213	228	258	426

¹ To guarantee stable lift

² Pair of slings or parallel laid legs

ø = Diameter

All stated dimensions in mm, unless otherwise specified



Please visit www.extreemasoftslings.com or contact our sales department for more information.

E-mail: sales@lift-tex.nl – Phone: +31-(0)594-200010

There are no limits in using quality products for safer lifting jobs

EXTREEMA® is a registered trade mark of LIFT-TEX® The Netherlands. Use of these trademarks is prohibited unless strictly authorized. Dyneema® and “Dyneema®, the world's strongest fiber™” are trademarks of Royal DSM. Use of these trademarks is prohibited unless strictly authorized. All rights reserved © Version 2021.

<https://www.lift-tex.nl/> - <https://extreemasoftslings.com/>



Lift-TEX Industrie B.V. – Extreema® Heavy Lift



Recommended trunnion dimensions for Extreema® round slings with HMPE (Trosar® DSM) (WLL 10t – 200t)

Based on round slings with safety factor (SF) 5

Up to WLL [t]	MBL SF5 [t]	Bearing core ø	Min. trunnion ø	Recommended trunnion ø	Min. trunnion width	Recommended trunnion width	Max. trunnion width ¹	Min. trunnion width 2-leg ²
10	50	20	20	30	28	30	34	56
20	100	30	30	45	42	45	51	84
30	150	40	40	60	56	60	68	112
40	200	49	49	74	69	74	83	137
50	250	51	51	77	71	77	87	143
60	300	58	58	87	81	87	99	162
70	350	66	66	99	92	99	112	185
80	400	71	71	107	99	107	121	199
100	500	82	82	123	115	123	139	230
125	625	97	97	146	136	146	165	272
150	750	103	103	155	144	155	175	288
200	1000	125	125	188	175	188	213	350

¹ To guarantee stable lift

² Pair of slings or parallel laid legs

ø = Diameter

All stated dimensions in mm, unless otherwise specified



Please visit www.extreemasoftslings.com or contact our sales department for more information.

E-mail: sales@lift-tex.nl – Phone: +31-(0)594-200010

There are no limits in using quality products for safer lifting jobs

EXTREEMA® is a registered trade mark of LIFT-TEX® The Netherlands. Use of these trademarks is prohibited unless strictly authorized. Dyneema® and “Dyneema®, the world's strongest fiber™” are trademarks of Royal DSM. Use of these trademarks is prohibited unless strictly authorized. All rights reserved © Version 2021.

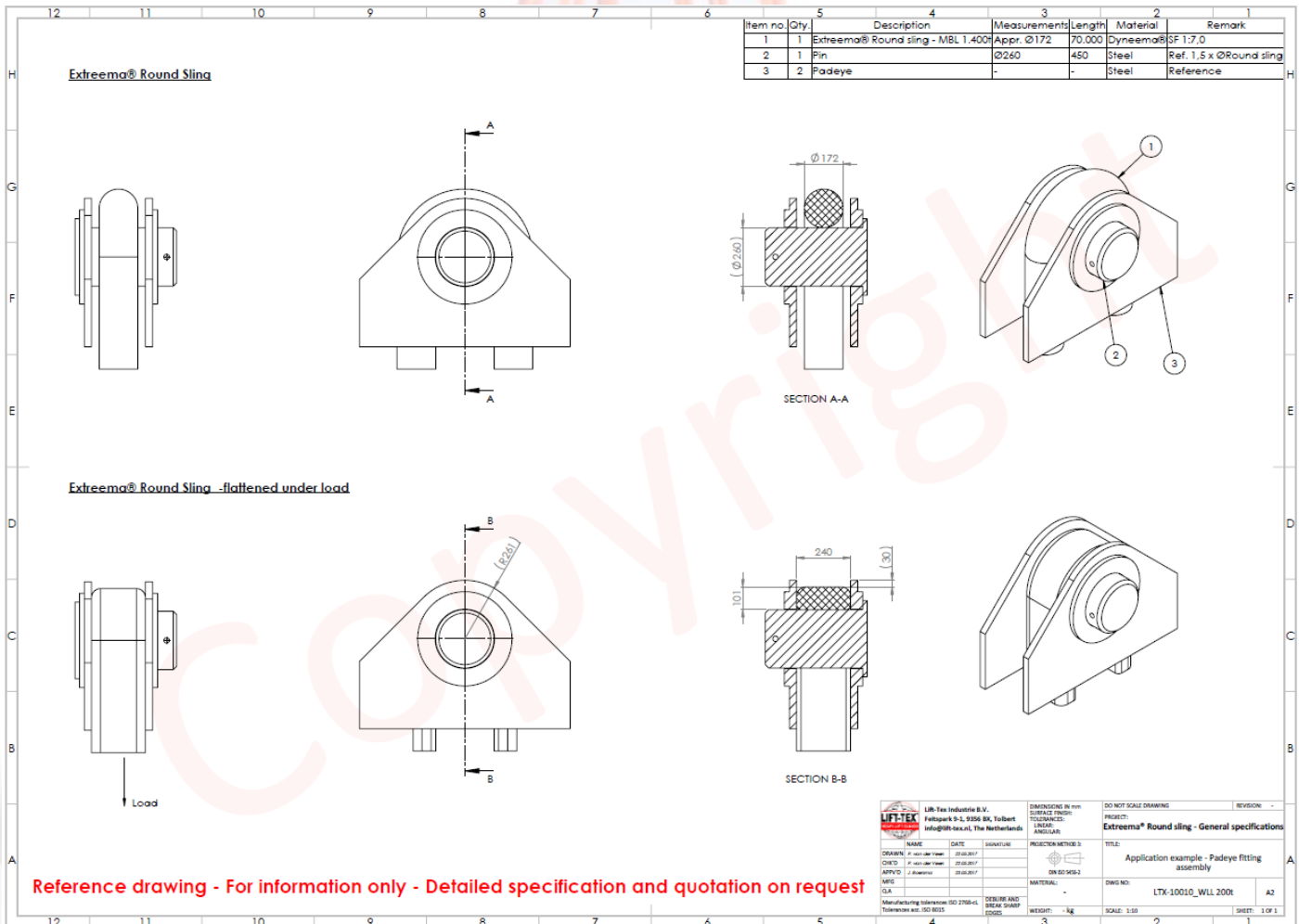
<https://www.lift-tex.nl/> - <https://extreemasoftslings.com/>



Lift-TEX Industrie B.V. – Extreema® Heavy Lift



Example of stable fit round sling



This document states the technical data of Extreema® heavy lift round slings. The above-mentioned figures are subject to amendments as a result of continuous product development.

No legal rights can be claimed from the above-mentioned figures.

Please visit www.extreemasoftslings.com or contact our sales department for more information.
 E-mail: sales@lift-tex.nl – Phone: +31-(0)594-200010

There are no limits in using quality products for safer lifting jobs

EXTREEMA® is a registered trade mark of LIFT-TEX® The Netherlands. Use of these trademarks is prohibited unless strictly authorized. Dyneema® and “Dyneema®, the world’s strongest fiber™” are trademarks of Royal DSM. Use of these trademarks is prohibited unless strictly authorized. All rights reserved © Version 2021.
<https://www.lift-tex.nl/> - <https://extreemasoftslings.com/>

