

Lift-TEX Industrie B.V. – Extreema® Heavy Lift



Recommended trunnion dimensions for Extreema® round slings with Dyneema® (WLL 10t – 200t)
Based on round slings with safety factor (SF) 7

Up to WLL [t]	MBL SF7 [t]	Bearing core ø	Min. trunnion ø	Recommended trunnion ø	Min. trunnion width	Recommended trunnion width	Max. trunnion width ¹	Min. trunnion width 2-leg ²
10	70	22	22	33	31	33	37	62
20	140	36	36	54	50	54	61	101
30	210	48	48	72	67	72	82	134
40	280	53	53	80	74	80	90	148
50	350	62	62	93	87	93	105	174
60	420	69	69	104	97	104	117	193
70	490	78	78	117	109	117	133	218
80	560	85	85	128	119	128	145	238
100	700	99	99	149	139	149	168	277
125	875	108	108	162	151	162	184	302
150	1050	124	124	186	174	186	211	347
200	1400	145	218	290	203	218	247	406

¹ To guarantee stable lift

² Pair of slings or parallel laid legs

ø = Diameter

All stated dimensions in mm, unless otherwise specified



Please visit www.extreemasoftslings.com or contact our sales department for more information.
E-mail: sales@lift-tex.nl – Phone: +31-(0)594-200010

There are no limits in using quality products for safer lifting jobs

EXTREEMA® is a registered trade mark of LIFT-TEX® The Netherlands. Use of these trademarks is prohibited unless strictly authorized. Dyneema® and “Dyneema®, the world's strongest fiber™” are trademarks of Royal DSM. Use of these trademarks is prohibited unless strictly authorized. All rights reserved © Version 2021.
<https://www.lift-tex.nl/> - <https://extreemasoftslings.com/>



Lift-TEX Industrie B.V. – Extreema® Heavy Lift



Recommended trunnion dimensions for Extreema® round slings with Dyneema® (WLL 10t – 200t)
Based on round slings with safety factor (SF) 5

Up to WLL [t]	MBL SF5 [t]	Bearing core ø	Min. trunnion ø	Recommended trunnion ø	Min. trunnion width	Recommended trunnion width	Max. trunnion width ¹	Min. trunnion width 2-leg ²
10	50	19	19	29	27	29	32	53
20	100	28	28	42	39	42	48	78
30	150	38	38	57	53	57	65	106
40	200	46	46	69	64	69	78	129
50	250	49	49	74	69	74	83	137
60	300	56	56	84	78	84	95	157
70	350	62	62	93	87	93	105	174
80	400	67	67	101	94	101	114	188
100	500	79	79	119	111	119	134	221
125	625	91	91	137	127	137	155	255
150	750	99	99	149	139	149	168	277
200	1000	119	119	179	167	179	202	333

¹ To guarantee stable lift

² Pair of slings or parallel laid legs

ø = Diameter

All stated dimensions in mm, unless otherwise specified



Please visit www.extreemasoftslings.com or contact our sales department for more information.

E-mail: sales@lift-tex.nl – Phone: +31-(0)594-200010

There are no limits in using quality products for safer lifting jobs

EXTREEMA® is a registered trade mark of LIFT-TEX® The Netherlands. Use of these trademarks is prohibited unless strictly authorized. Dyneema® and “Dyneema®, the world's strongest fiber™” are trademarks of Royal DSM. Use of these trademarks is prohibited unless strictly authorized. All rights reserved © Version 2021.

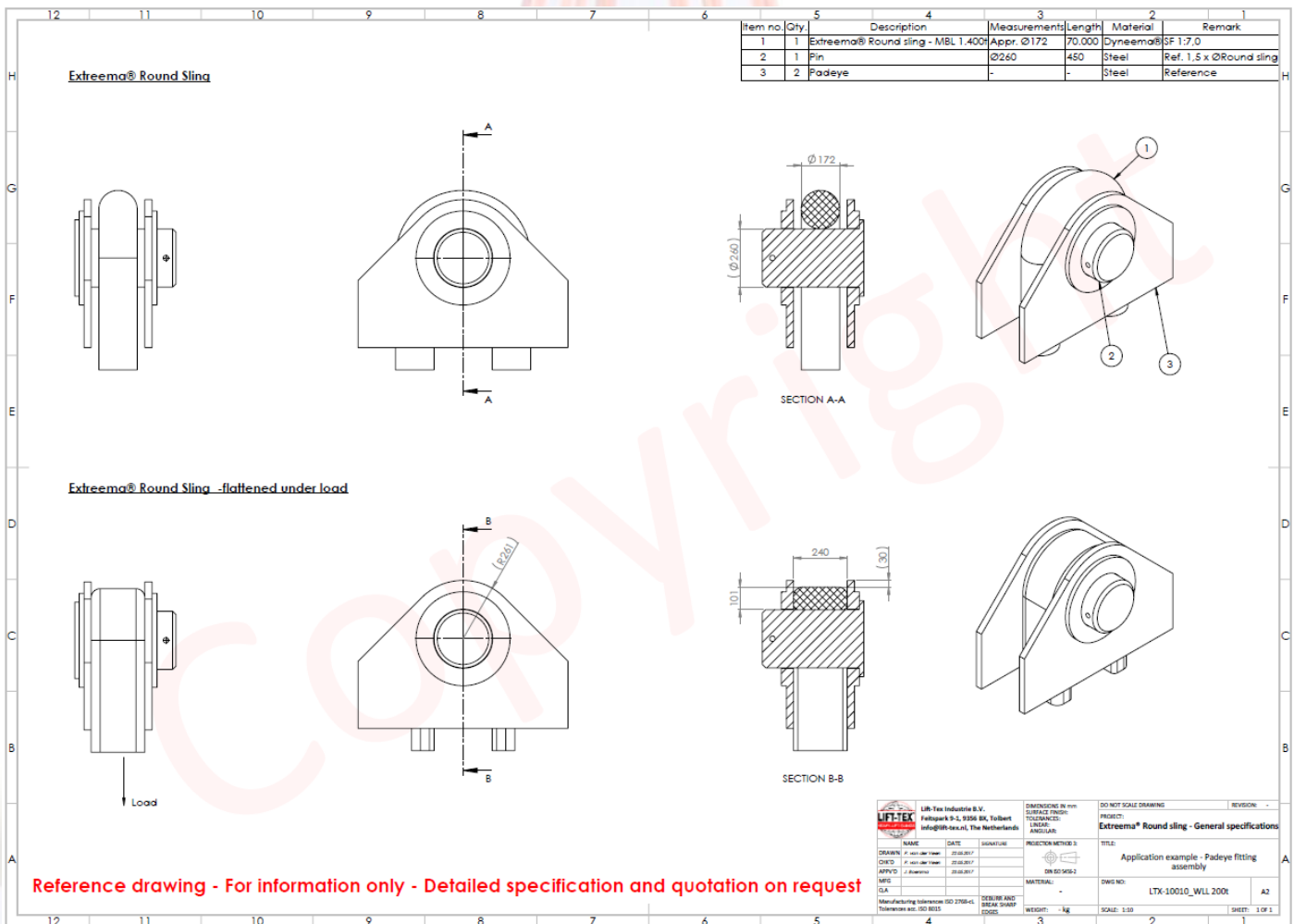
<https://www.lift-tex.nl/> - <https://extreemasoftslings.com/>



Lift-TEX Industrie B.V. – Extreema® Heavy Lift



Example of stable fit round sling



This document states the technical data of Extreema® heavy lift round slings. The above-mentioned figures are subject to amendments as a result of continuous product development.

No legal rights can be claimed from the above-mentioned figures.

Please visit www.extreemasoftslings.com or contact our sales department for more information.
E-mail: sales@lift-tex.nl – Phone: +31-(0)594-200010

There are no limits in using quality products for safer lifting jobs

EXTREEMA® is a registered trade mark of LIFT-TEX® The Netherlands. Use of these trademarks is prohibited unless strictly authorized. Dyneema® and “Dyneema®, the world's strongest fiber™” are trademarks of Royal DSM. Use of these trademarks is prohibited unless strictly authorized. All rights reserved © Version 2021.
<https://www.lift-tex.nl/> - <https://extreemasoftslings.com/>

