

Technical data model BETA SILVERLINE

Art.-No. Contactor control	Size	Capacity	Capacity	Lifting	Lifting	Rope	Motor	Classification	Useable	Useable	Weight without rope kg
		1 st layer kg	top layer kg	speed 1 st layer m/min	speed top layer m/min	diameter* mm			rope length 1 st layer m	rope length top layer m	
031140006	Mini	250	170	4.7	7.3	4	0.37	1Bm/M3	7	46.7	25
031140015**	Mini	250	170	3.7	5.7	4	0.55	1Bm/M3	7	46.7	25
031149065	BG 1	500	348	3.5	5.5	6	0.37	1Am/M4	8.4	58.5	65
031149077	BG 1	500	348	8.5	12.6	6	0.75	1Am/M4	8.4	58.5	65
031149254	BG 2	980	697	3.4	4.9	9	0.75	1Am/M4	11	77.5	114
031149259	BG 2	980	697	7.5	10.8	9	1.1	1Am/M4	11	77.5	120
031149302	BG 2	1250	814	5.9	9.2	9	1.1	1Bm/M3	8.7	64.1	125
031149438	BG 3	1600	1115	3.9	5.7	12	1.1	1Am/M4	12.1	87.8	204
031149441	BG 3	1600	1115	8.5	12.5	12	2.2	1Am/M4	12.1	87.8	210
031149533	BG 3.5	3200	2354	6.0	8.3	14	3	1Am/M4	11.4	64.5	224

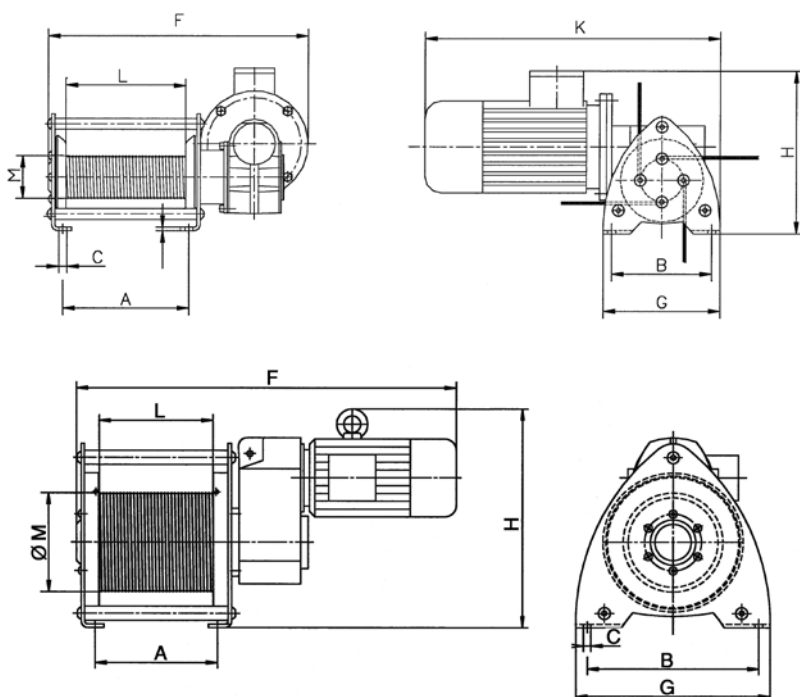
*recommended rope: DIN 3069 FE-znk 1960 sZ-spa

**A.C. motor drive 230V

Dimensions model BETA SILVERLINE

Art.-No. Contactor	031140006	031140015*	031149065	031149077	031149254	031149259	031149302	031149438	031149441	031149533
A, mm	185	185	215	215	270	270	270	320	320	320
B, mm	170	170	300	300	400	400	400	510	510	510
Ø C, mm	12	12	13.5	13.5	18	18	18	22	22	22
F, mm	389	389	710	746	852	912	907	1014	1073	1101
G, mm	200	200	340	340	465	465	465	570	570	570
H, mm	241	241	333	319	490	487	490	614	599	684
K, mm	432	-	-	-	-	-	-	-	-	-
L, mm	180	180	200	200	250	250	250	300	300	300
Ø M, mm	64	64	108	108	175	175	138	218	218	242

*A.C. motor drive 230V



Pfaff winches are not designed for passenger elevation applications and must not be used for this purpose.